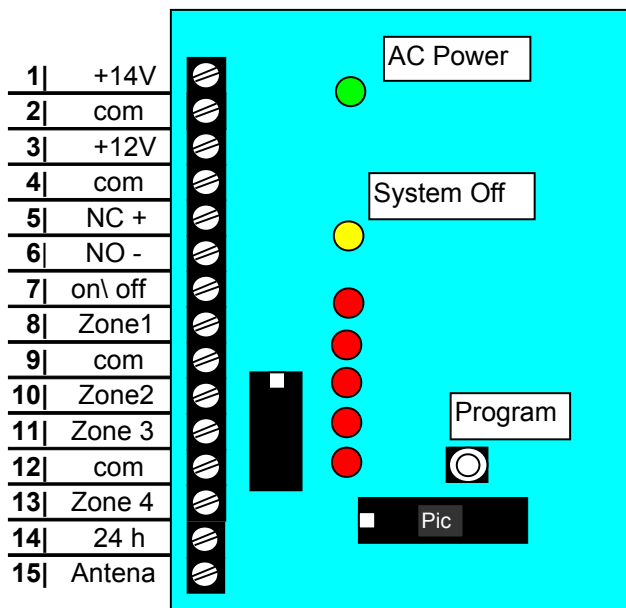


Lynx 4+1: remote control alarm system

Connecting



*All zones (incl. 24h!), not used, should be connected to the nearest **com!***
Zones 2 and 3 shall automatically switch off in a "partial switched on"-mode. These are "interior zones".
Voltage 14V (terminal 1) present only at AC 220V!

1. Magnetic sensor at the front door.
Connected at terminals 8 and 9.

2. PIR- sensor
Power supply 12V from terminals 3 (+) and 4 (-).
"Alarm" at terminals 9-10, or 11-12, or 12-13 by choice.

3. External siren with a battery.
Power supply 14V from terminals 1 (+) and 2 (-).
"Control" of terminal 5 (NC+).
"Tamper" of terminals 12 and 14.

4. Telephone dialler "ETA-SYS"
At "drop out" terminals 2 and 5, at "input" terminals 3 and 6.

RC programming

1. Press the Program button on the board for not more than 5 sec.
The yellow LED 'System off' shows the status of the button.
2. Press the desired button on the RC once to switch the system on.
The yellow LED 'System off' flashes at successful record.
3. Press the desired button on the RC once to switch the system off.
The yellow LED 'System off' flashes at successful record.

Note: the button for switching on or off may be the same

Delete RC

All RC are deleted simultaneously, whereafter programme those to work with.

1. Press and hold the Program button on the board, until the yellow 'System off' LED lights on itself. All RC are deleted.

Programming the Alarm duration time

1. Press the Program button on the board for not more than 5 sec.
The yellow LED 'System off' shows the status of the button
2. Press again and hold the Program button on the board.
The yellow LED 'System off' starts flashing
3. Count as many "flashes", as many minutes you wish the alarm duration time to be, then release the button.

Abilities and technical features of the station

The Lynx 4+1 remote control station is designed for securing small sites. It guarantees a very high reliability against Code Grabbing, and Code Scanning.

Remote control (RC) with a dynamically changing code ("jumping code")

Number of RC-s		up to 15
Number of zones		4 + 1 anti-sabotage 24h
Power supply	AC 220V DC 12V	built-in transformer 220 / 16 accumulator up to 3Ah.
Autonomous consumption in a "switched on"-mode, closed zones, 220V absent		< 20mA
Alarm outputs		built-in piezo-siren 120 dB/m
	NC+	type "drop out + " up to 300mA
	NO-	type "open collector" up to 1A
ON/OFF output terminal for SOD)	on/ off	type "open collector" up to 400mA
Extras		"Partial switching on" " Bell " for Zone 1. " Memory " for the zones which have triggered an alarm signal. Warning when the system voltage drops below 10.5V due to a lasting cut off of the mains 220V Programmed protection against activation due to interferences
Beep time		programmable from 1 to 255 min.
" Panic"		when pressing simultaneously both ON&OFF RC buttons

Operating with the station

1. Switching on

Press once the RC switch on button. The station produces a soft signal and the 'System off' LED goes off. In 5 sec. the system enters a "security" - mode.

1.1 Partial switching on - home at night

Press and hold the RC switch on button, until the LED 'System off' starts flashing. The station counts by soft signals the seconds remaining until the 5 sec. expire, and enters into a "security"-mode. Zones 2 and 3 are switched off, so that you can move around the premises of the site. Zones 1 and 4 (front door and another door for.ex..) are protected.

2.Switching off

Press the RC switch off button

The station produces a soft signal.

If the system has not alarmed at the time of switching on, it enters into a "switched off" - mode.

The 'System off' LED is lit on and the red LED-s show the status of the sensors.

If the system has alarmed at the time of switching on, it enters into a "report" mode.

The 'System off' LED flashes. The red LED-s flash, showing which zones have been activated.

If all the zones are flashing, this means that the station has been activated by decreased voltage.(see.3.Problem)

To exit this mode, switch the station on and then immediately off.

If the Tamper zone 24h is in order, the station shall enter into a "switched off" mode, and if not - the alarm shall sound.

3. Problem

The system is off, but the 'System off' LED flashes, and the station cannot be switched on.

If the green LED AC Power is off, check the 220V supply voltage.

If the green LED AC Power is on, call a service provider.